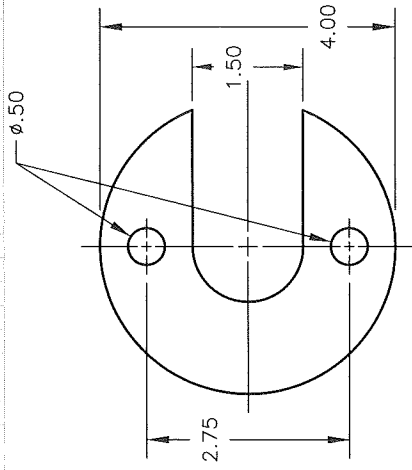


HOLDING TOOL



C-WASHER

Make freehand sketches of the objects shown. Select an appropriate size for each object using the grid provided. Erase construction lines and darken finished work. Strive for good line quality and proportion. Do not dimension the sketches.

NAME

SKETCHING OBJECTS

DATE

PROBLEM

5-5